



SBS BSC 1
(Burner Sequence Controller)



SBS-BSC-1 = Saacke FOSA retrofit solution



SBS-BSC-1 (Burner Sequence Controller) is a direct retrofit solution for the Saacke FOSA controller.

Key points:

- Tailor made 1 to 1 retrofit product.
- Easy installation by ship's electrician or SBS Service Engineer.
- PLC solution based on Siemens marine type approved components.
- SBS-BSC-1 is type approved product with approved design & software by DNV-GL. Only needed is to make onboard "Test procedure for Sea Acceptance Test (SAT).pdf" by ship's electrician or SBS service engineer.
- 26% smaller installation footprint, compared to FOSA.
- No adjustment of software or parameters is required.
- As product is type approved for FOSA retrofit solution, there is no need for case-by-case project upgrade approval process.

Additional benefits:

- Standard temperature range of hardware (up to 60°C).
- Extended temperature range versions of hardware (up to 70°C).
- Horizontal or vertical installation positions are possible.
- Relative allowed humidity during operation is max 95%; no condensation.

System consists of:

- N1 – Siemens S7 1200 PLC Unit (14 digital inputs / 10 relay outputs).
- N2 - Siemens Relay output module (16 relay outputs).
- Auxiliary relays (9 relay).

Compact design: SBS-BSC-1 has 26% smaller installation space footprint compared to FOSA.

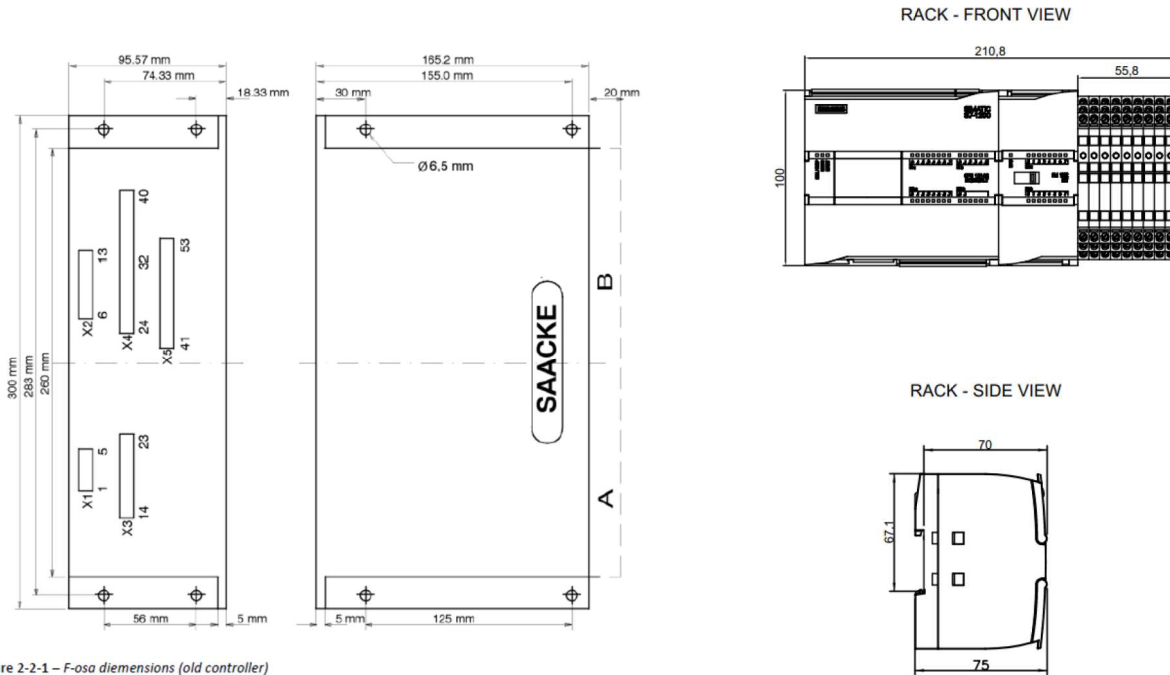
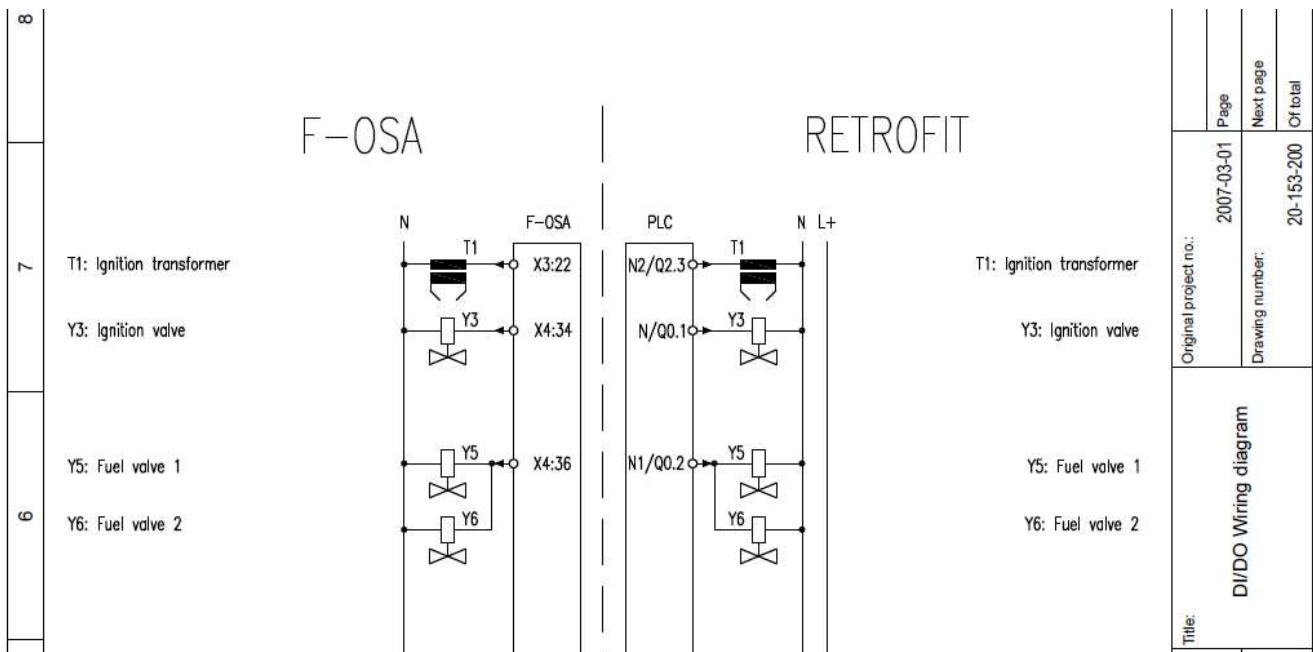


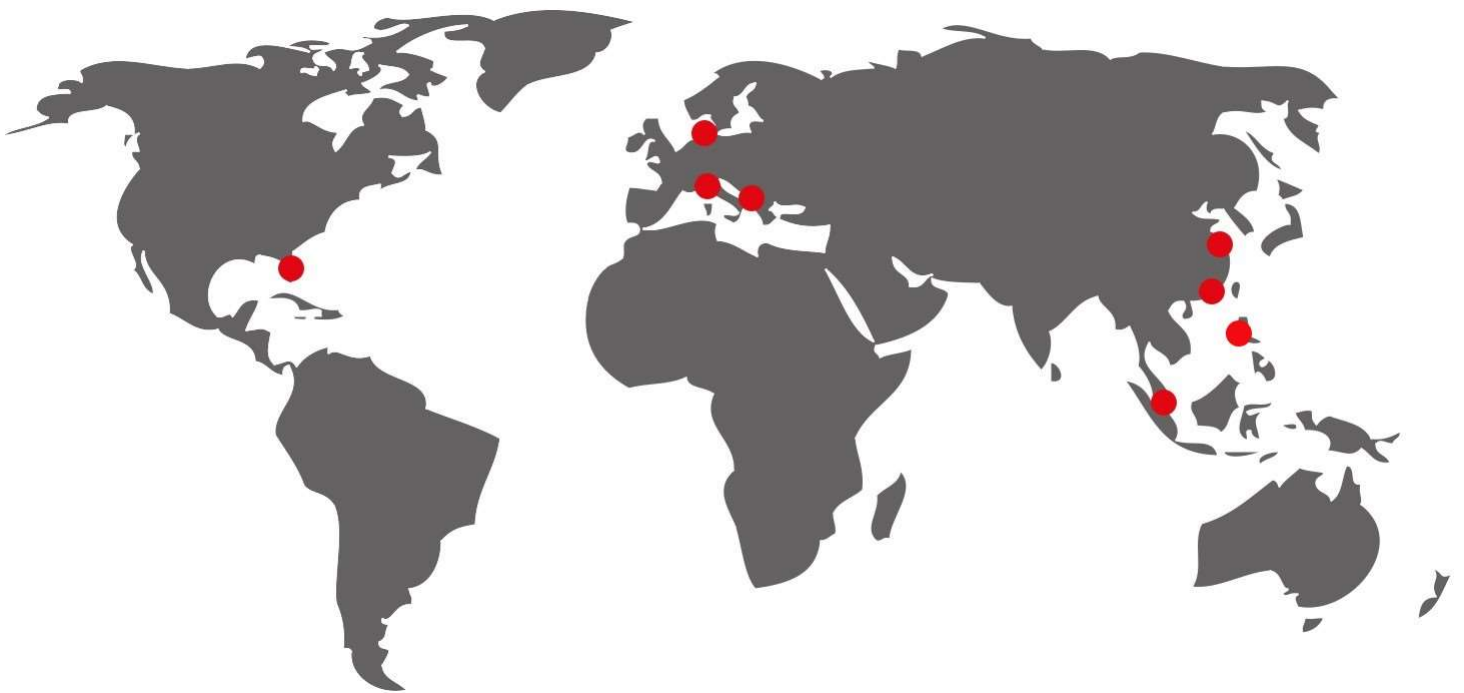
Figure 2-2-1 – F-osa diemensions (old controller)

Installation: Easy 1 to 1 replacement.





WE KEEP YOU OPERATIONAL



YOUR GLOBAL PARTNERS

EUROPE

CROATIA
+385 51 684 755
projects@sbs.hr

DENMARK
+45 7027 1000
sbs@sbs-eu.com

repair@sbs-asia.com

AMERICA

FLORIDA, USA
+1 954 763 7375
sbs@sbs-us.com

repair@sbs-asia.com

ASIA

SINGAPORE
+65 6767 0200
sbs@sbs-asia.com

repair@sbs-asia.com

CHINA

NANTONG
+86 513 8565 2711
sbs@sbs-china.com

repair@sbs-asia.com